

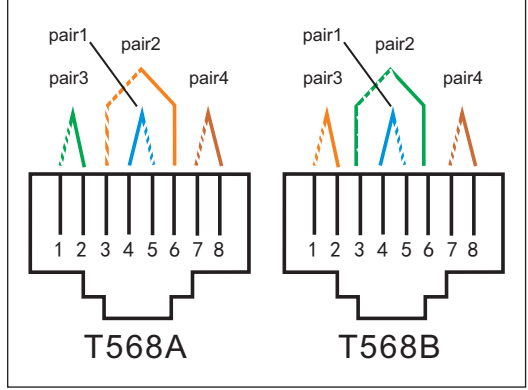
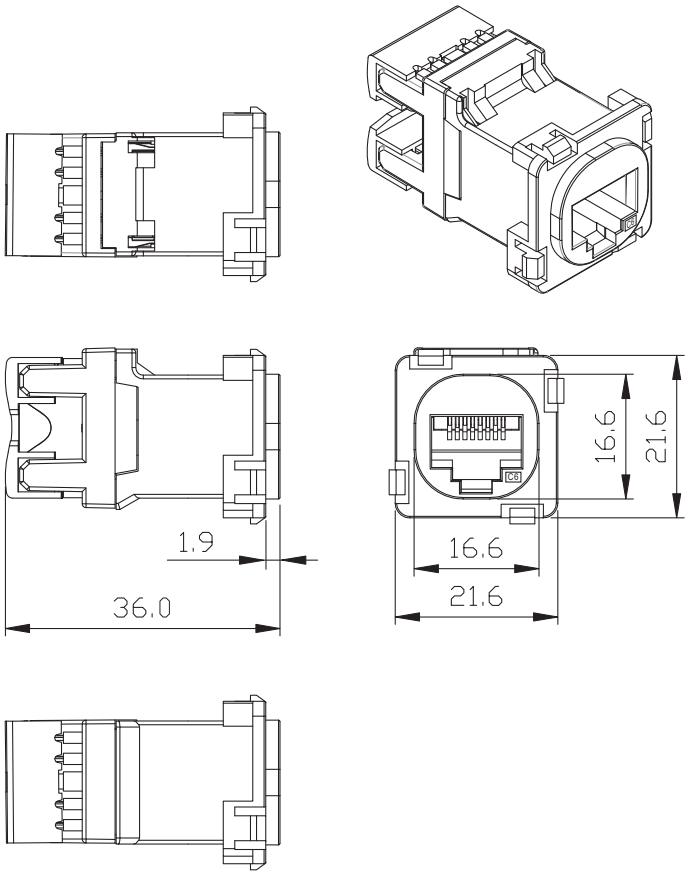
REV	DATE	MODIFICATION	DRAWN

Specification:
Material:

- 1.RJ45 Housing:PC.
- 2.RJ45 Contact material & finished:
 - 2-1.Phosphor Bronze with50-60" Nickel plated.
 - 2-2.Contact area:Min.3mm 3" Gold plated.
- 3.IDC House: PC.
- 4.IDC Terminal material & finished:
 - 4-1:Phosphor Bronze with 50" Tin-Lead plated. over 50-60 "Nickel plaed.
 - 4-2.110&kroner tool compatible.
 - 4-3.Use for 23-24AWG stranded and solid wire.

Performance:

- a.The IDC color combine two wirings of T568A & T568B.
- b.Insertion Force:900 grms for 8 contacts.
- c.Retention Strength:7.7 kgs between Jack and Plug.
- d.Operation Tempereature:-10°C to 60°C
- e.Durability:
 - e-1.Jack:750 cycles Plug-Jack mating and unmating test, Insertion cycles at 20 cycles/minute max.Contact resistance test per 100 cycles.
 - e-2.IDC:Min.200 punching times.
- f.The Cat.6 performance is in compliance with the ANSI/TIA/ EIA 568 B.2 standard.



DIMENSION IN mm (Inch) TOLERANCE UNLESS OTHERWISE SPECIFIED		MATERIAL	DWG NO.
.X±0.10	.X°±5°	TITLE	
.XX±0.05	.XX°±2°		
APPROVAL	CHECKED	DRAWN	SCALE
		NICK	1/1
			SHEET
			1/1
			REV

